

230-250 WATT

POLYCRYSTALLINE SOLAR PANELS

SNM-P250(60)
230/235/240/245/250 W

SUNEL introduces a new line of high performance crystalline solar panels for various applications ranging from 230 to 250 watts.

KEY FEATURES

- Solar cells offer high conversion efficiency to ensure high power
- High performance modules have an industry low tolerance of $\pm 3\%$
- Can withstand high wind-pressure, snow load and extreme temperature
- Pass IEC 2400 Pa mechanical loading test

QUALITY & SAFETY

- Power output warranty:
10 years: 90%, 25 years: 80%
- 5-year warranty on product materials and processing technology
- ISO 9001:2008 (Quality Management System) certified factory
- IEC 61215, IEC 61730 certified products
- TUV, CE conformity

APPLICATIONS

- On-grid residential roof-tops
- On-grid commercial/industrial roof-tops
- Solar power plants
- Off-grid system
- Other on-grid applications



SPECIFICATIONS

Model Type	SNM-P230(60)	SNM-P235(60)	SNM-P240(60)	SNM-P245(60)	SNM-P250(60)
Maximum Power (Pmax)	230Wp	235Wp	240Wp	245Wp	250Wp
Density (Wp/m ²)	140.5	143.6	146.6	149.7	152.7
Maximum Power Voltage (Vmp)	29.72V	29.82V	29.89V	29.99V	30.05V
Maximum Power Current (Imp)	7.74A	7.85A	8.03A	8.17A </td <td>8.31A</td>	8.31A
Open-Circuit Voltage (Voc)	36.83V	36.94V	37.05V	37.12V	37.25V
Short-Circuit Current (Isc)	8.31A	8.44A	8.63A	8.78A	8.88A
Output of the cells (%)	16.20%	16.60%	16.90%	17.20%	17.60%
Output of the module (%)	14.20%	14.50%	14.80%	15.10%	15.40%
No. of Diode	6				
Maximum System Voltage	1000V				
Maximum Series Fuse Rating	15A				
Power Tolerance	±3%				
Temperature Coefficients of Pmax	-0.47%/°C				
Temperature Coefficients of Voc	-0.33%/°C				
Temperature Coefficients of Isc	0.04%/°C				
Nominal Operating Cell Temperature (NOCT)	48±2°C				
STC: Irradiance 1000W/m ²			Module Temperature 25°C		AM=1.5

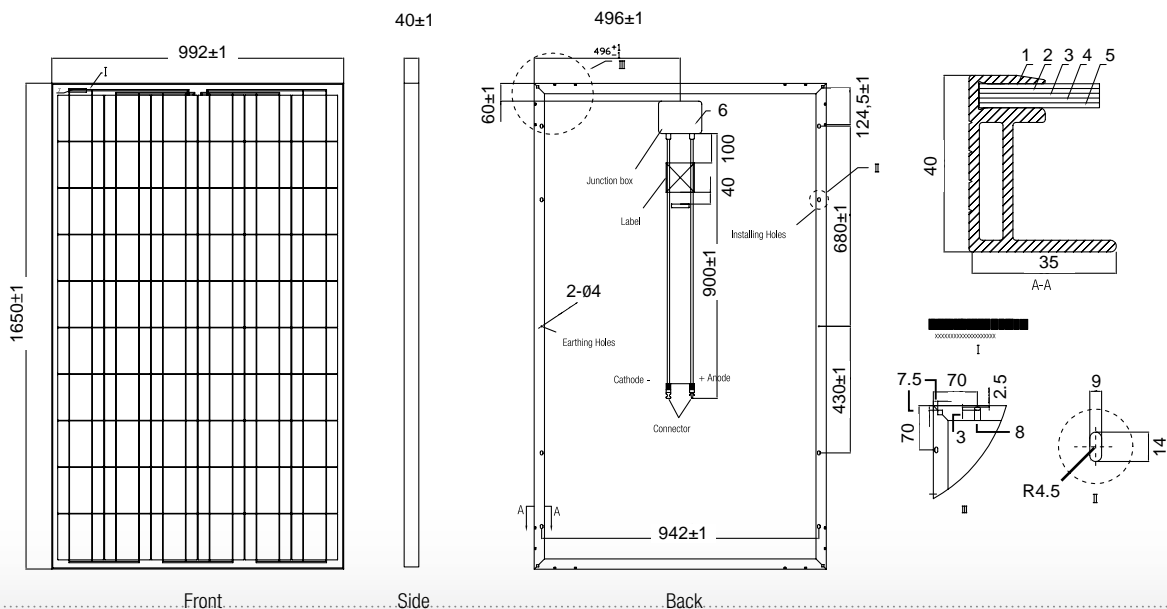
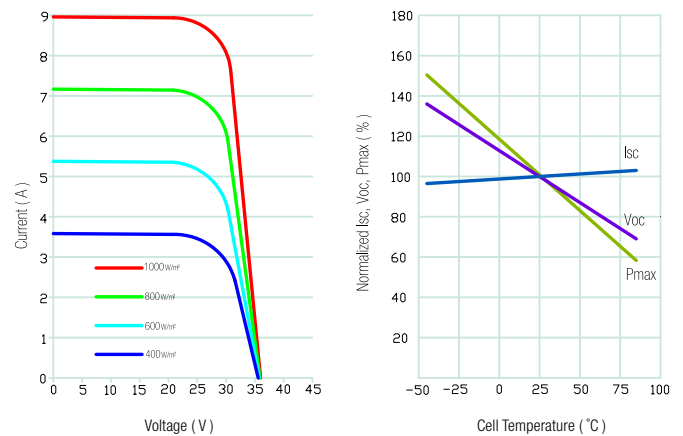
MECHANICAL CHARACTERISTICS

Cell Type	Poly-crystalline 156x156mm (6 inch)
No. of Cells	60 (6x10)
Dimensions	1650x992x40mm
Weight	19.5kg
Front Glass	3.2mm High Transmission, Low Iron, Tempered Glass
Frame	Anodized Aluminium Alloy
Junction Box	IP67 Rated
Output Cables	TUV 1x4.0mm ² Length 900mm

PACKAGING CONFIGURATION

Packing Configuration	2 pcs / box
Quantity / Pallet	26 pcs / pallet
Loading Quantity	264 pcs/20GP or 700 pcs/40GP

I-V CURVES & TEMPERATURE DEPENDENCE OF ISC, VOC, PMAX



Unit: mm